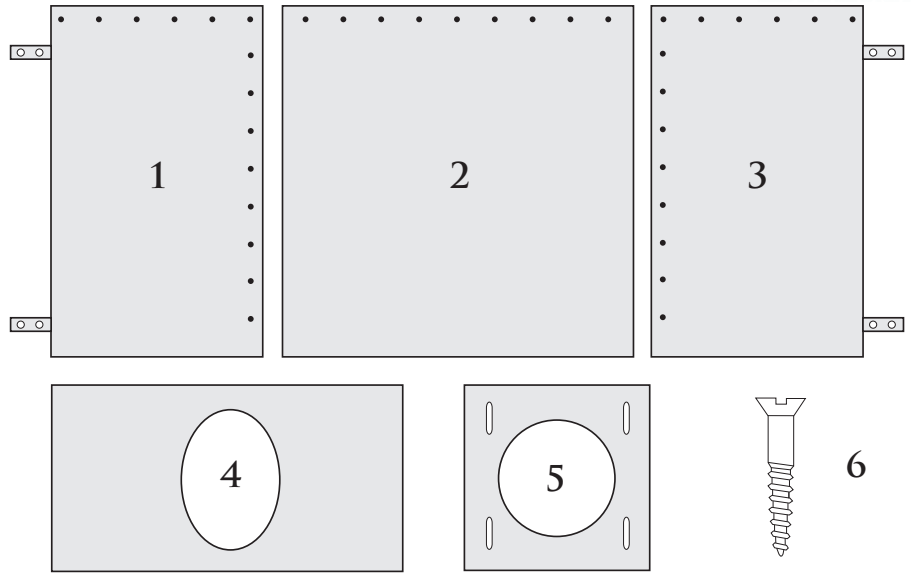


ASSEMBLY INSTRUCTIONS

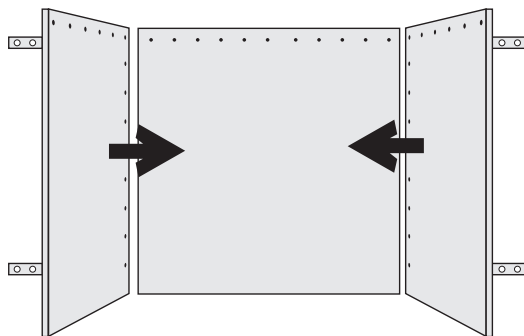
Please check that you have received the following items:

- 1 Left hand side panel
- 2 Back panel
- 3 Right hand side panel
- 4 Top
- 5 Collar either 5" or 6" and includes rope, bolts and washers
- 6 Bag of screws

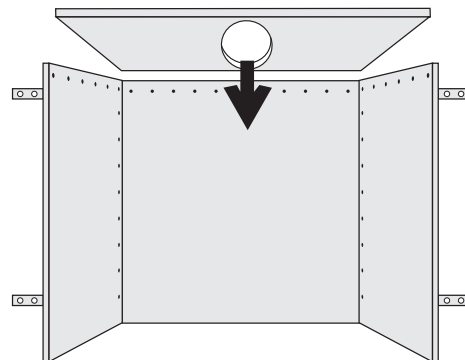


Assemble the Box

Using the screws provided attach the left hand side to the back making sure that the flanges are facing towards the outside and holes are at the top. Repeat with the right hand side panel.



Lay the box on its back and attach the top making sure the flanges are facing upwards and then secure in place.



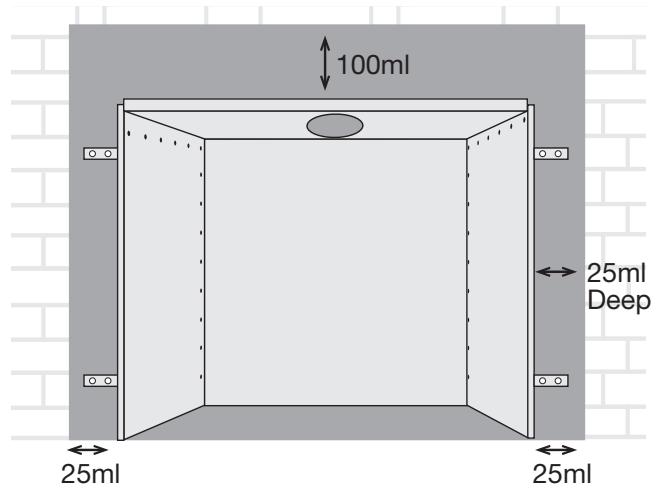
When all the joints are tight, silicon inside the box and clean off which makes a seal at all the joints. Leave to dry. **DO NOT FIX THE COLLAR AT THIS POINT.**

Installing the box

Make sure the chimney has been swept prior to commencing work.

Remove old appliances/fireplace.

The hole you prepare for The Stove Box should be 50ml wider than The Stove Box and 25ml deeper and for purpose of insulation and backfill approximately 100 to 200 ml higher. This is the minimum allowance for backfill later. If you are connecting to a flue or clay liner you may need to chop more out above the centre.



For more information see our website at: www.thestovebox.co.uk
 or contact us at: sales@thestovebox.co.uk or 07989 486861 / 01652 600937